

Technical Data Sheet

Series: **Kevon**

Article code: **81CR8120 02**

Description:

One hole basin mixer, without pop up waste,
flex cm 35 x 1/2"F.

Materials:

Brass

Surface finish Chrome:

14 micron Nickel

0.3 microm Chrome

Finishings



Features



Cartridge diam. 35 mm with 2 ceramic disks,
with 25° opening angle, and 90° mixing angle.
We use only certified white lubricant into our
mixers and cartridges.



Aerator Male thread 24x1
Flow rate 7 l/min at 3 bar



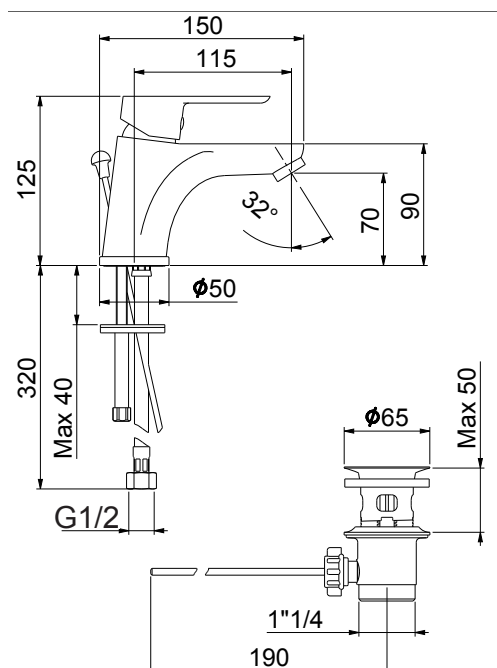
Stainless steel flex hoses cm 35 with 1/2 brass
nut with internal non removable rubber



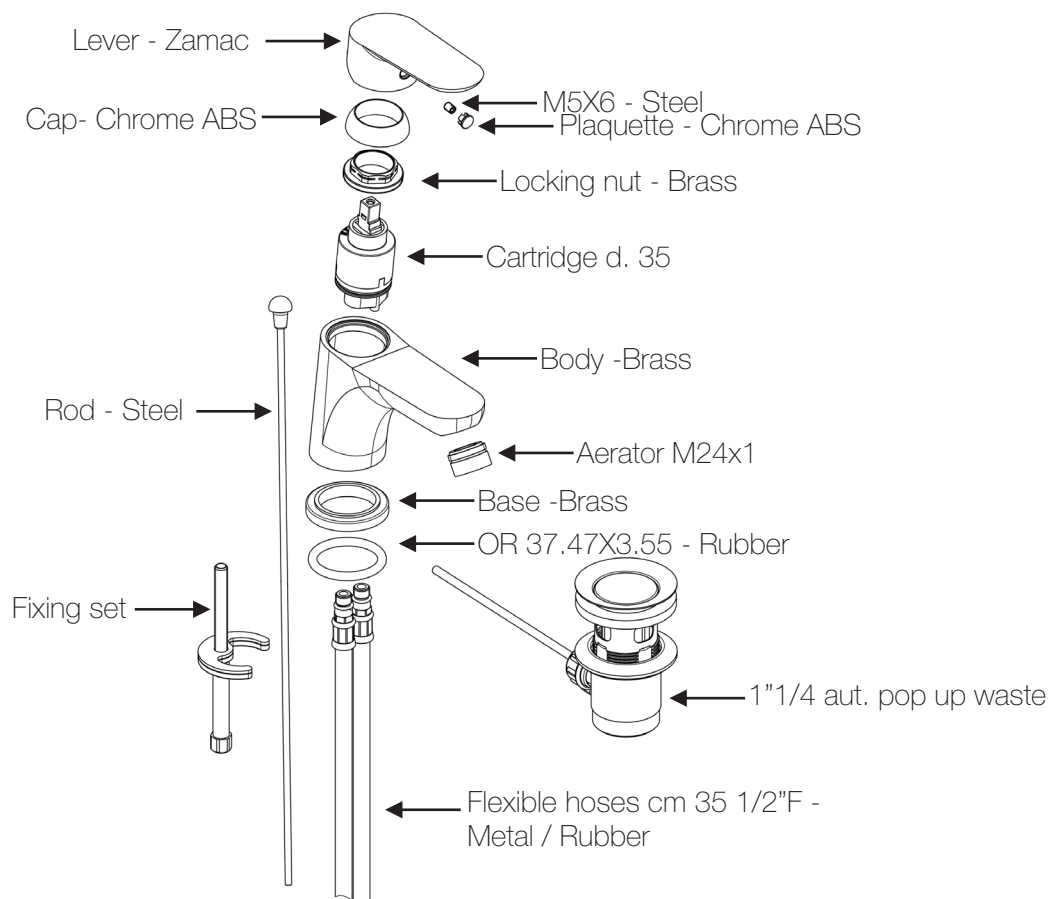
Metal 1"1/4 pop up waste



Easy installation with 65 mm brass long fixing screw
Suitable for electrical water heater



Technical Data Sheet



Maintenance

Product care also includes regularly cleaning the aerator filter from impurities and/or lime scale. For correct decalcification, disassemble the aerator and place it into diluted vinegar (max concentration: 10% at 20°C) to remove lime scale deposits and/or dirt from the aerator filters. Leave it to soak for a few hours, and then rinse using only water.

Cleaning recommendation for products and care of finish

Chrome: the chrome surfaces can be cleaned with a mild detergent or with neutral soap and water.

Color finishes: taps with colored finishes should be cleaned only with a cloth and water.

Never use detergents containing mineral acids (ex. hydrochloric acid), aggressive acids (ex. acetic acid), bases (ex. ammonia) phosphoric acid or other aggressive substances, as they can cause significant damage.



www.fiore.it/catalogues