

# Endex

## Female adaptor, male copper for insertion into fitting x BSP parallel female thread

N7/4246G Adaptor



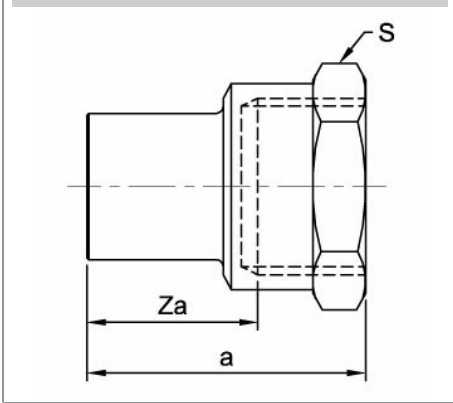
### General Information

#### Key Features

- Male copper for insertion into fitting x BSP parallel female thread

Size	Pattern No.	Pack 1 Qty	Pack 2 Qty	Code	Barcode	Price (£) each ex VAT
15mm x 1/2"	N7/4246G	10	200	<a href="#">88320</a>	5022050883209	£3367.56 per 100
22mm x 3/4"	N7/4246G	10	120	<a href="#">88321</a>	5022050883216	£5110.70 per 100
28mm x 1"	N7/4246G	10	100	<a href="#">88322</a>	5022050883223	£6672.08 per 100
35mm x 1.1/4"	N7/4246G	1	30	<a href="#">88323</a>	5022050593467	£13689.32 per 100
42mm x 1.1/2"	N7/4246G	1	20	<a href="#">88324</a>	5022050593474	£14697.97 per 100
54mm x 2"	N7/4246G	1	10	<a href="#">88325</a>	5022050593481	£17695.11 per 100

N7/4246G Adaptor



### Dimensions

Code	Description	a	Za	s
88320	15mm x 1/2" N7/4246G	30	20	25
88321	22mm x 3/4" N7/4246G	37	22	30
88322	28mm x 1" N7/4246G	43	30	37
88323	35mm x 1 1/4" N7/4246G	51	38	46
88324	42mm x 1 1/2" N7/4246G	55	40	52
88325	54mm x 2" N7/4246G	64	66	40

Pegler Yorkshire reserve the right to change specifications

### Guarantee

#### Pegler 25 Year Guarantee - Terms and Conditions

Products are subject to a 25 year guarantee that is between Pegler and the final purchaser of the product.

The guarantee is subject to proof of purchase being supplied.

This guarantee does not affect any statutory rights the consumer may have in law.

The guarantee covers manufacturing or material defects when installed in accordance with our instructions on specified tube materials and applications, and does not cover parts subject to normal wear and tear.

This product range has been designed for the use of homeowners, domestic and commercial applications and therefore the Guarantee is subject to the product being properly selected for their intended service conditions.

The guarantee is not applicable where the product is fitted contrary to the conditions in the fitting instructions.

This is reinforced where valves are covered by the European Pressure Equipment Directive (PED97/23/EC) where Installation, Operating and Maintenance Instructions are supplied with each product and/or carton.

Provided it is installed correctly and receives adequate preventative maintenance it should give years of trouble-free service.

Abusive behaviour and accidental damage to the product are not covered by this guarantee.

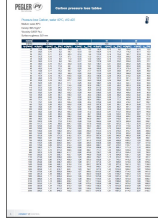
The extent of this liability is limited to the cost of the replacement of the defective item and not to installation or consequential damages.

## Pressure and Temperature

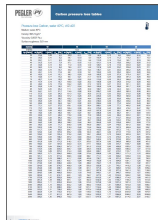
Size	-40°C (Min)	30°C	65°C	110°C (Max)
6mm to 28mm	25bar	25bar	25bar	16bar
35mm to 54mm	25bar	25bar	16bar	10bar
67mm	16bar	16bar	16bar	10bar

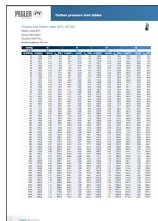
Size	-15°C (Min)	30°C	65°C	110°C (Max)
6mm to 54mm	16bar	16bar	10bar	6bar
67mm	10bar	10bar	6bar	4bar



Pressure Loss Tables: Copper Water



Pressure Loss Tables: Copper Compressed Air



Pressure Loss Tables: Copper Gas

## Care and Maintenance

### Care

No regular aesthetic care is required for this product

### Maintenance

No regular maintenance is required for this product.

For any further help please contact the Service Support Team on: 0800 1560050.