

Pegler Valve

Ductile iron butterfly valve geared. Semi lugged, to BS EN 593:2004, face to face dimensions to BS EN 558:2008

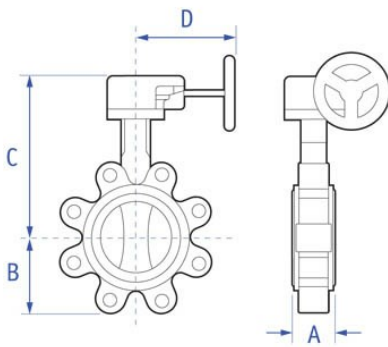
V906G Butterfly valve



General Information

| Size | Pattern No. | Pack 1 Qty | Pack 2 Qty | Code | Barcode | Price (£) each ex VAT |
|-------------|-------------|------------|------------|-----------------------|---------------|-----------------------|
| 250mm V906G | | 1 | 0 | 15322 | 5022050555427 | £1369.90 |
| 300mm V906G | | 1 | 0 | 15323 | 5022050555434 | £1681.49 |

V906G Butterfly valve



Dimensions

| Code | Description | A | B | C | D |
|-------|-------------|----|-----|-----|-----|
| 15322 | 250mm V906G | 68 | 200 | 469 | 341 |
| 15323 | 300mm V906G | 78 | 238 | 494 | 341 |

Pegler Yorkshire reserve the right to change specifications

Flow Rate

| Size | Pattern No. | Code | Kv m3/h |
|-------------|-------------|-------|---------|
| 250mm V906G | | 15322 | 6247.80 |
| 300mm V906G | | 15323 | 9652.50 |

Pegler Yorkshire reserve the right to change specifications

Guarantee

Pegler 5 Year Guarantee - Terms and Conditions

Products are subject to a 5 year guarantee that is between Pegler and the final purchaser of the product.

The guarantee is subject to proof of purchase being supplied.

This guarantee does not affect any statutory rights the consumer may have in law.

The guarantee covers manufacturing or material defects when installed in accordance with our instructions on specified tube materials and applications, and does not cover parts subject to normal wear and tear.

This product range has been designed for the use of homeowners, domestic and commercial applications and therefore the Guarantee is subject to the product being properly selected for their intended service conditions.

The guarantee is not applicable where the product is fitted contrary to the conditions in the fitting instructions.

This is reinforced where valves are covered by the European Pressure Equipment Directive (PED97/23/EC) where Installation, Operating and Maintenance Instructions are supplied with each product and/or carton.

Provided it is installed correctly and receives adequate preventative maintenance it should give years of trouble-free service.

Abusive behaviour and accidental damage to the product are not covered by this guarantee.

The extent of this liability is limited to the cost of the replacement of the defective item and not to installation or consequential damages.

Materials

| Component | Material |
|--------------------|-----------------|
| Body | Ductile iron |
| Shaft | Stainless steel |
| Disc | Stainless steel |
| Bushes up to 100mm | PTFE |
| Bushes up to 125mm | Gunmetal |
| 'O' ring | EPDM |
| Liner | EPDM |

Flange Data

| Size | Code | Flange Diameter (mm) | Pitch Circle Diameter (mm) | No of Bolts | Bolt Diameter (mm) | Hole Diameter (mm) | Raised Face Diameter (mm) | Raised Face Height (mm) | Thickness of Flange (mm) |
|-------|-------|----------------------|----------------------------|-------------|--------------------|--------------------|---------------------------|-------------------------|--------------------------|
| 250mm | 15322 | 405 (2) | 355 | 12 | M24 | 28 | - | - | 32 |
| 300mm | 15323 | 460 (2) | 410 | 12 | M24 | 28 | - | - | 32 |

Pegler Yorkshire reserve the right to change specifications

Technical Suitability

| Steam | Water | Oil | Air | Gas | Inert Gas | Combustible† | Gas Corrosive†† | Gas Oxygen |
|-------|-------|-----|-----|-----|-----------|--------------|-----------------|------------|
| no | yes | no | no | no | no | no | no | no |

Pegler Yorkshire reserve the right to change specifications

Gas application guide

Class 1. INERT Air, argon, carbon dioxide, helium, nitrogen

Class 2. COMBUSTIBLE Hydrogen, methane, natural gas, town gas

Class 3. CORROSIVE Chlorine, sulphur dioxide Class 4. OXYGEN

Class 1. INERT Air, argon, carbon dioxide, helium, nitrogen

† Valves are suitable for British Gas Applications Family Gases 1, 2 and 3.

†† Suitable in applications where moisture is completely absent.