

SE



50 / 80 / 100 / 120 / 150 / 200 *lt*

Electric storage water heater, vertical wall installation. Available also with manual external regulation.

+ Why to choose it:

- It is the classic model, which has been around for years in Italian homes to satisfy the most various hot water needs.
- It is an easy installation product, which allows you to have hot water ready for use: ideal for treating yourself to a nice one relaxing and regenerating hot shower!

TECHNICAL DATA

* the indicated power is the one suggested by the manufacturer for the best combination of performance / energy saving, other powers are also available on customer request

	SE 50	SE 80	SE 100	SE 120	SE 150	SE 200
Heat loss 50° (Kwh/24h)	0,98	1,32	1,51	1,84	2,09	2,41
Power (W)	1200	1200	1500	1500	2000	2000
Voltage (V)	230	230	230	230	230	230
Heating time (Δt 50°)	145'	232'	245'	280'	310'	372'
Max working temperature (C°)	65°	65°	65°	65°	65°	65°
Max working pressure (bar)	8	8	8	8	8	8
Protection against humidity	IPX4	IPX4	IPX4	IPX4	IPX4	IPX4
Insulation class	I	I	I	I	I	I
Profile	M	M	M	L	XL	XL
Energy Class	C	C	C	C	C	C

+ **INCREASED MAGNESIUM ANODE,**
FOR TOTAL PROTECTION AGAINST
VACANT CURRENTS

+ **GLASS ENAMELED**
TANK

+ **ABSENCE OF CFC;**
POLYURETHANE FOAM
FOR ECOLOGICAL THERMAL
INSULATION



**COPPER
HEATING ELEMENT**



**INSPECTION
FLANGE**



**ERP
2017**



**MAGNESIUM
ANODE**



**LED
CONTROL**



**ROHS
COMPONENT**

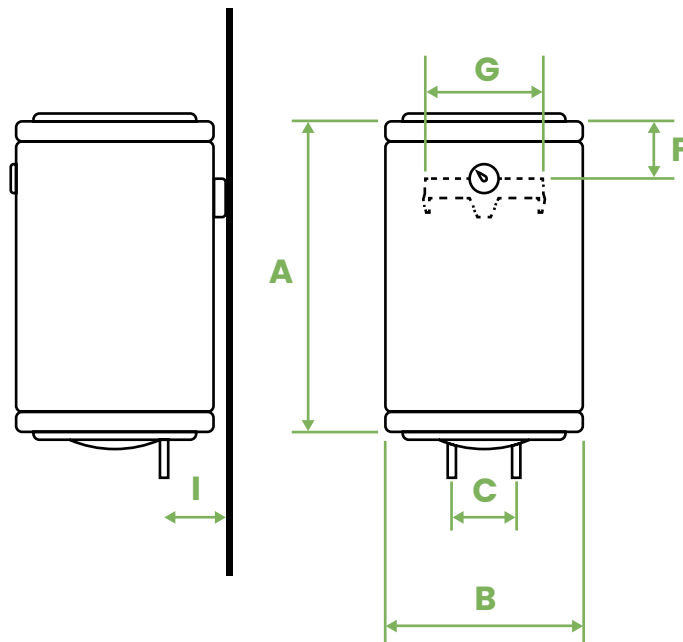


**POLYURETHANE
FOAM CFC FREE**



THERMOSTAT

DIMENSIONS



	A	B	C	F	G	I
SE 50	510 mm	460 mm	100 mm	130 mm	350 mm	130 mm
SE 80	700 mm	460 mm	100 mm	130 mm	350 mm	130 mm
SE 100	805 mm	460 mm	100 mm	130 mm	350 mm	130 mm
SE 120	1000 mm	460 mm	100 mm	130 mm	350 mm	130 mm
SE 150	935 mm	550 mm	100 mm	180 mm	350 mm	130 mm
SE 200	1105 mm	550 mm	100 mm	180 mm	350 mm	130 mm